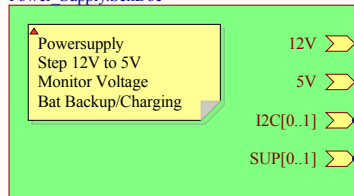
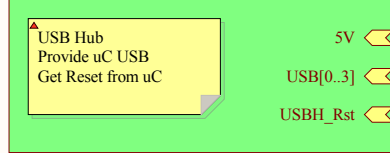


Title		
Size	Number	Revision
A4		
Date:	30/11/2013	Sheet of
File:	D:\Work\12V_Out.SchDoc	Drawn By:

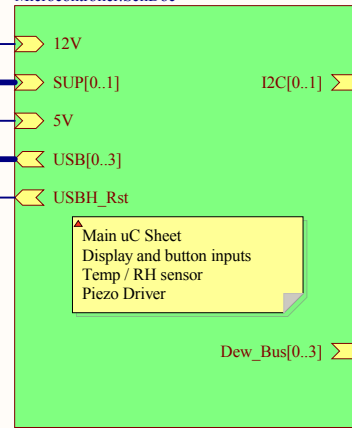
SH2  
Power\_Supply.SchDoc



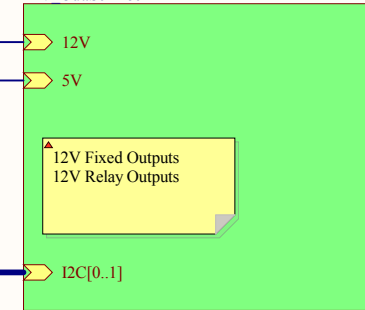
SH3  
USB\_Hub.SchDoc



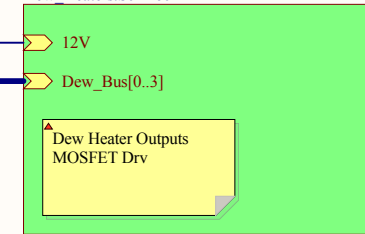
SH1  
Microcontroller.SchDoc



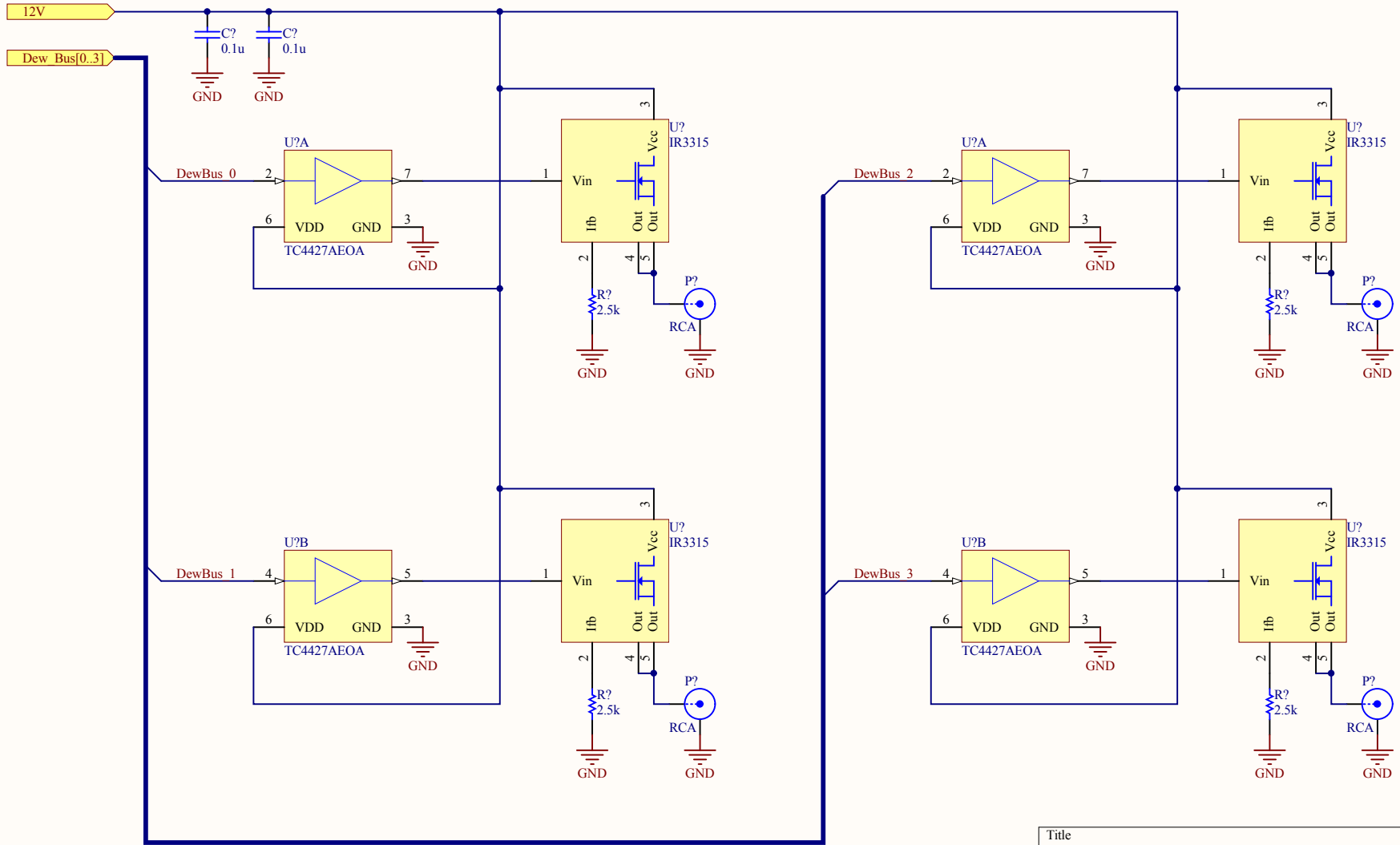
SH4  
12V\_Out.SchDoc



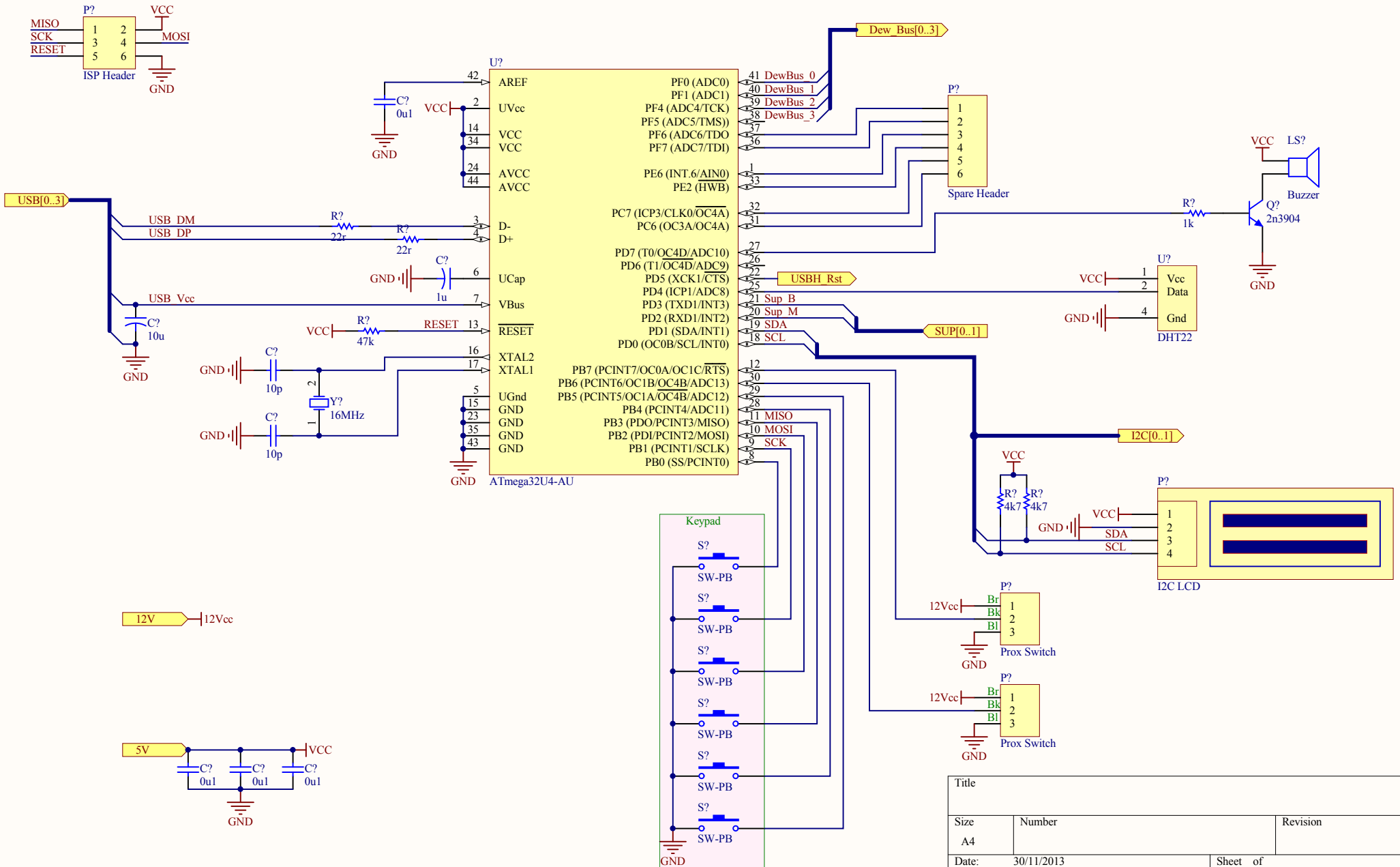
SH5  
Dew\_Heaters.SchDoc



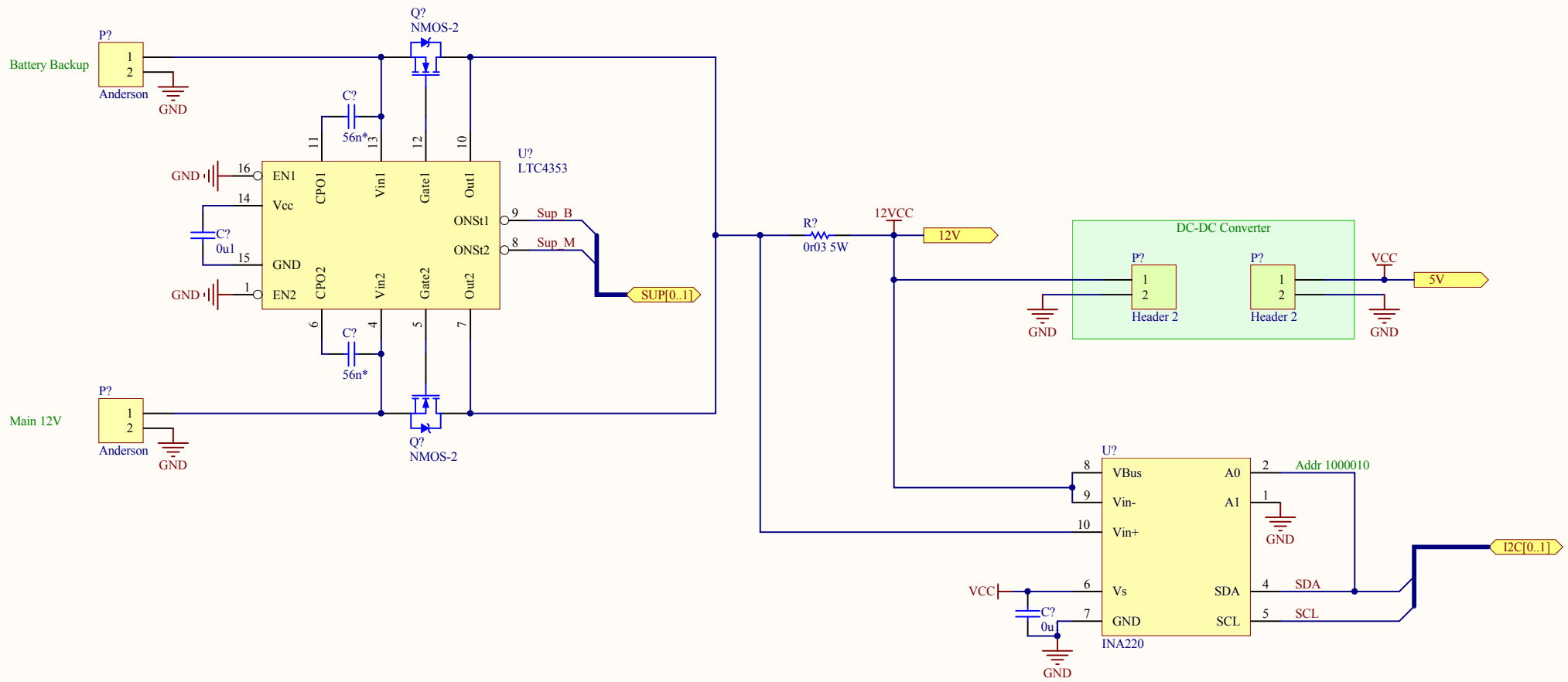
Title		
Size	Number	Revision
A4		
Date:	30/11/2013	Sheet of
File:	D:\Work\...\Control_Master.SchDoc	Drawn By:



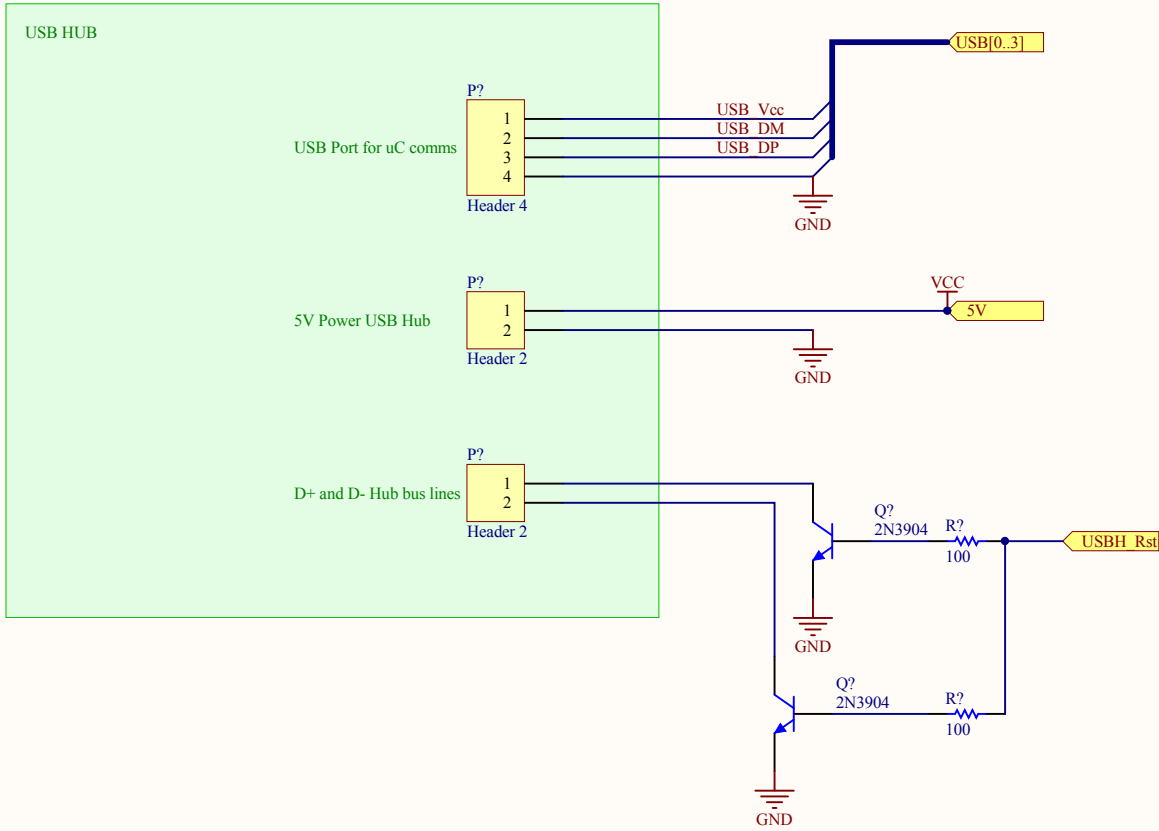
Title		
Size	Number	Revision
A4		
Date:	30/11/2013	Sheet of
File:	D:\Work\...\Dew Heaters.SchDoc	Drawn By:



Title		
Size	Number	Revision
A4		
Date:	30/11/2013	Sheet of
File:	D:\Work\...\Microcontroller.SchDoc	Drawn By:



Title		
Size A4	Number	Revision
Date:	30/11/2013	Sheet of
File:	D:\Work\...\Power_Supply.SchDoc	Drawn By:



Title		
Size	Number	Revision
A4		
Date:	30/11/2013	Sheet of
File:	D:\Work\...\USB_Hub.SchDoc	Drawn By: